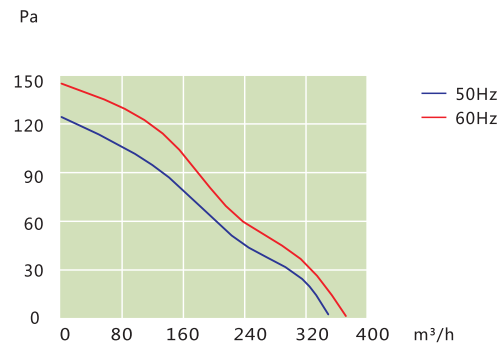


Wall-mounted filter fan R224

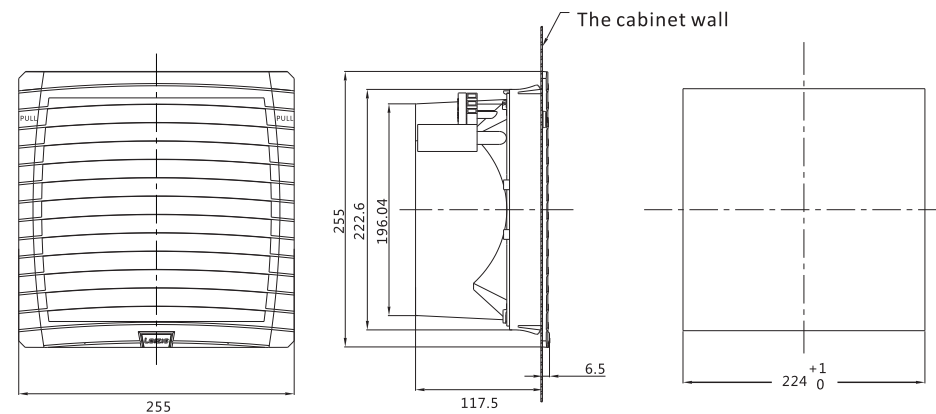
Perfectly simple



Performance curve



Outside dimension drawing



Cutout size diagram

Onsite application



NEW

Features



- Suitable for small power heating cabinet. Compact, reasonable design, low noise operation.
- With high stability and longer time. Be able to keep working in a bad air environment.
- The unique design of the ventilation grid to prevent the invasion of debris and water vapor.
- The same type product corresponds to two different standard configurations, one protection level is IP54, the other is IP55, all standard products plus spray proof case, the protection level can be increased to IP56.
- The installation is simple, without screws, direct card in, simple and fast hinge installation technology, convenient replacement of filter pad.



Model No.	R224-230	R224-115	R224-024	R224-048
Factory ID No.	IP54 32100017 IP55 32101017	32100018 32101018	32100016 32101016	32100019 32101019
Dimensions (W x H x D)	255 x 255 x (6.5+117.5)mm			
Air flow parameters	R224-230	R224-115	R224-024	R224-048
Non resistance air volume	IP54 365m³/h/390m³/h IP55 350m³/h/378m³/h			365m³/h 350m³/h
Combined air volume (Filter fan and outlet filter)	IP54 245m³/h/260m³/h IP55 232m³/h/250m³/h			245m³/h 232m³/h
Filter efficiency	IP54 IP55	88% 91%		
Filter grade (DIN EN 779)	IP54 IP55	G3 G4		
Noise level (DIN 45 635)	IP54 IP55	65dB(A)		
Electrical Data	R224-230	R224-115	R224-024	R224-048
Fan motor	Capacitor motor		DC motor	
Rated current	0.28A/0.35A	0.56A/0.7A	2.4A	1.2A
Rated voltage	230VAC 50Hz/60Hz	115VAC 50HzOr60Hz	24VDC	48VDC
Power consumption	60/78W	60/78W	55W	55W
Attachment data	R224-230	R224-115	R224-024	R224-048
Spare fuse	3A			
Operating temperature	-10°C(+ 14°F) ~ + 55°C(+131°F)			
Storage temperature	-20°C(-4°F) ~ + 70°C(+158°F)			
Connection	Terminal row			
Weight	2.2kg		2.0kg	
Color	RAL 7035			
Accessories	Piece	Factory ID No		
Outlet filter	IP54 1 IP55 1	32100020 32101020		
Fiber filter pad	IP54 1	32103004		
Corrugated filter pad	IP55 1	32103009		
Metal filter pad	IP43 1	32103014		
Anti spray shell	IP56 1	32103019		
Cutout size	224 ⁺¹ / ₀ thickness of the material below 2mm		225 ⁺¹ / ₀ 2mm < material thickness ≤3mm	
Additional function	Factory ID No	Application		
+ EMC(R224)	32102004	Combined with standard products, assembled into the electromagnetic shielding fan.		
+ TC	32102006	Combined with standard products, assembled into the temperature monitoring fan.		
+ RC(01)	32102007	Combined with standard products, assembled into the wind speed monitoring fan.		
+ RC(10)	32102008	Combined with standard products, assembled into the wind speed monitoring fan.		

Ventilation series

Ventilation series